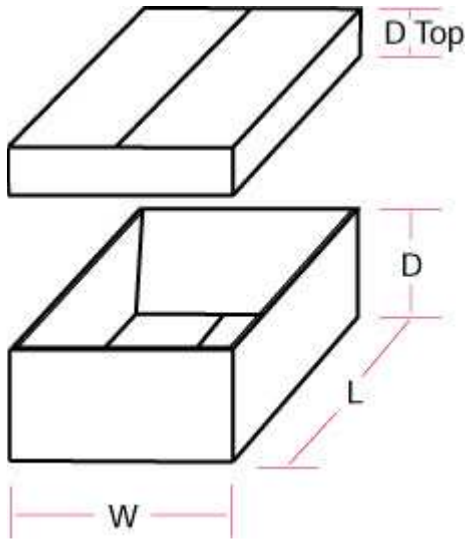


How to construct your THS style box:



This box has two parts that are constructed the same way.

Open your box so that you have a three dimensional rectangular tube. Fold in the pair of flaps along the width of the box. Fold in the pair of flaps along the length of the box. Fasten seam with tape or staples.